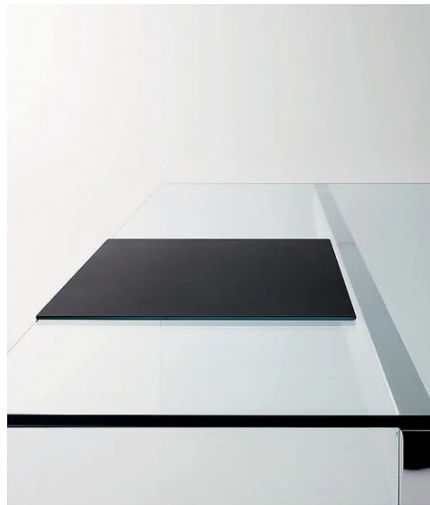


Glass Pad

Studio G&R
2009



Tempered satin painted glass writing pad as per samples.

Cm (L x P x H)

70 x 38 x 0.6

65 x 41 x 0.6

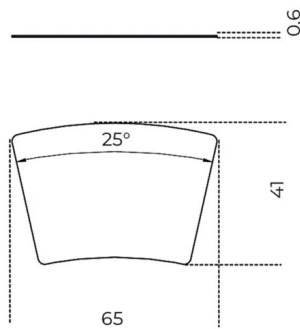
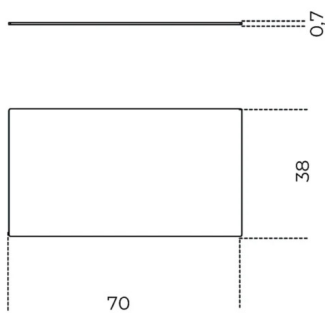
75 x 43 x 0.6

Inches (L x P x H)

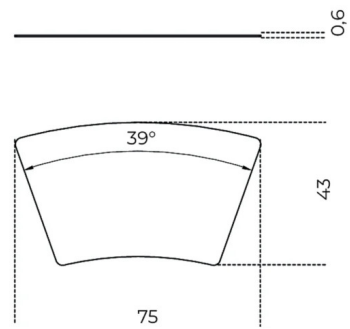
27³/₄ x 15 x 1/4

25³/₄ x 16¹/₄ x 1/4

29³/₄ x 17 x 1/4



President Junior



President Senior

Finishes

Glass



Satin white



Satin blue-grey



Satin cadet blue



Satin cement



Satin champagne



Satin rose powder



Satin taupe



Satin dark grey



Satin liquorice



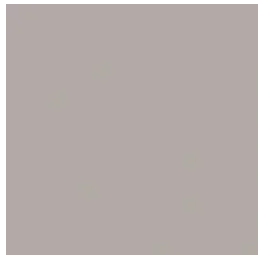
Satin black



Satin olive



Satin green-grey



Satin mink